

# STREETOS SLIM

SLI027020NW\_PW

Street luminaire with dusk sensor STREETOS SLIM, with a power of 30 W, high light efficacy 120 lm/W. It is made of high-quality components, supported by a 5-year warranty. It has a very high degree of protection IP65, providing protection against the ingress of dust and water jets. IK08 class provides impact resistance. It shines with light of neutral - the most universal colour (4000K).



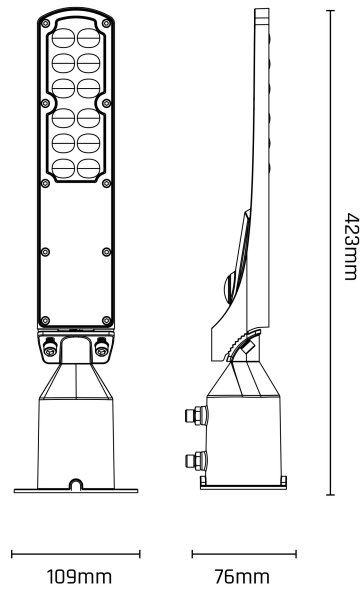
Power	<b>30 W</b>	Voltage	<b>230 V</b>
Luminous flux*	<b>3600 lm (360°)</b>	Colour temperature	<b>4000 K</b>
Colour of light	<b>Neutral white</b>	Beam angle	<b>140/85 °</b>
IK	<b>08</b>	Degree of protection (IP)	<b>IP65</b>

Technical data

Code	SLI027020NW_PW
Power	30 W
Nominal current	130 mA
Voltage	230 V
Energy consumption	30 kWh/1000h
Frequency	50HZ Hz
Protection class	I
Power factor	0.9
Useful luminous flux*	3600 lm (360°)
Luminous flux**	3000 lm (360°)
Lamp efficacy	120 lm/W
Colour temperature	4000 K
Colour of light	Neutral white
Beam angle	140/85 °
RA	80
Uniformity of color SDCM max	5
Dimmable	No
Working temperature range	-20/+40 °
Lifespan	50000 h
Housing material	Aluminum, PC
IK	08
Degree of protection (IP)	IP65
Colour	Black
Dimension (AxBxC)	423x109x76 mm
Mounting hole	60 mm
For use	Outside
Assembly method	na słupek
Application	EXT
Made in	PRC
Other	185-265V ,

Logistics data

Bulk packaging	10 pcs.
Quantity per pallet	180 pcs.
Gross weight (1 pcs.)	0.73 kg



Related documents



User manual



Declaration of Conformity



Photometric file

