

MADARA LIBRA GU10

SLIP003058

LED luminaire MADARA LIBRA GU10 for replaceable light source. Designed for surface mounting.



Voltage **250 V**

Socket **GU10**

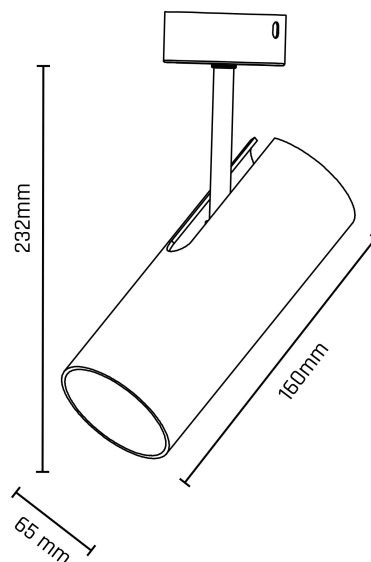
Degree of protection (IP) **IP20**

Technical data

| | |
|---------------------------|--|
| Code | SLIP003058 |
| Voltage | 250 V |
| Protection class | I |
| Light source included | No |
| Working temperature range | -20/+40 ° |
| Lifespan | 17000 h |
| Housing material | Aluminum |
| Socket | GU10 |
| Degree of protection (IP) | IP20 |
| Colour | Black |
| Dimension (AxBxC) | 65x160x232 mm |
| For use | Inside |
| Assembly method | On the ceiling |
| Application | Inside |
| Made in | PRC |
| Other | MAX 10W LED; NO INTENDED FOR HALOGEN , |


Logistics data

| | |
|-----------------------|----------|
| Bulk packaging | 40 pcs. |
| Quantity per pallet | 960 pcs. |
| Gross weight (1 pcs.) | 0.3 kg |



Related documents



 Declaration of Conformity

