

## 33071 REXAR LED B

LED desk lamp

5905339330710



Kanlux REXAR desk lamp combines a minimalist, elegant design and plenty of functions. You can adjust the colour of the light and its intensity to suit your preferences, as well as use the USB port in order to charge a mobile device. Once it is switched off, a folded lamp does not occupy much space and serves as an uncluttered decoration.

### GENERAL DATA:

**Colour:** black

**Place of assembly:** On the floor

**Place of application:** Indoors

**Minimum distance from the illuminated object:** 0,1m

**Possibility of dimming only with help of an internal electronic system:** yes

**On switch:** yes

**Length [mm]:** 180

**Width [mm]:** 140

**Height MAX [mm]:** 715

**Cable length [m]:** 1.8

**Integrated LED light source:** yes

### TECHNICAL DATA:

**Rated voltage [V]:** 220-240 AC

**Rated frequency [Hz]:** 50

**Maximum power [W]:** max 7

**Class of protection against electric shock:** II

**Diode type:** LED SMD

**Luminous flux [lm]:** max 370

**Useful luminous flux of the light source  $\Phi_{use}$  [lm]:** 650

**Useful luminous flux of the light source  $\Phi_{use}$  [lm]:** in sphere (360°)

**Colour temperature:** Warm white, white, cold white

**Correlated colour temperature [K]:** 3000/4000/6500

**Colour consistency in McAdam ellipses:**  $\leq 6$

**Colour rendering index:** 80

**Service life [h]:** 25000

**Number of on/off cycles:**  $\geq 15000$

**Lighting angle [°]:** 100

**Luminous efficiency of the lamp [lm/W]:** max 53

**Enclosure material:** aluminum alloy, plastic

**Connection type:** Cable terminated with a plug

**Lamp-heating time [s]:**  $\leq 1$

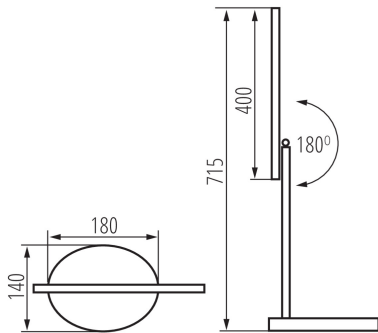
**Lamp-ignition time [s]:**  $\leq 0,5$

**The fixture is movable vertically [°]:** 180

**IP class:** 20

## 33071 REXAR LED B

LED desk lamp



### LOGISTIC DATA:

**Packaging method:** 8

**Number of units in the secondary packaging:** 1

**Number of units in the packaging:** 8

**Net unit weight [g]:** 672

**Grammage [g]:** 1012.5

**Length of a unit pack [cm]:** 14.5

**Width of a unit pack [cm]:** 18

**Height of a unit pack [cm]:** 44.5

**Weight of a cardboard box [kg]:** 8.1

**Width of a cardboard box [cm]:** 38.5

**Height of a cardboard box [cm]:** 47

**Length of a cardboard box [cm]:** 60

**Volume of a cardboard box [m<sup>3</sup>]:** 0.10857

